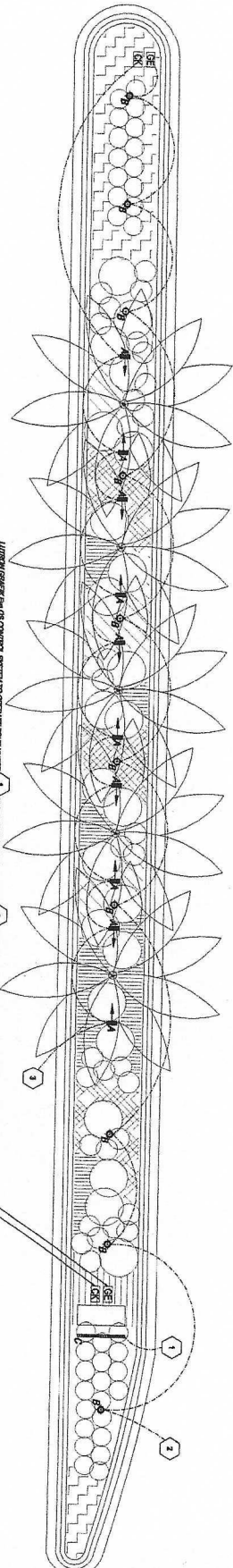


**Sherman Oaks Median Lighting Project
Estimated Cost (preliminary as of July 1, 2016)**

Design Plans:	\$5,000
Equipment Costs:	\$25,000
Trenching under street	\$7,000
Trenching on the median	\$4,000
Fixture Installation	\$2,000
Plant relocation and replanting	\$1,000
Contingency Costs (10%)	\$4,000
Total Estimated Costs without permit fees	\$48,000



LIGHTING FIXTURE SYMBOLS

- A LED BULLET FOR PALM TREE
- B LED BOLLARD
- C LINEAR LED STRIP SIGN LIGHTER

CONTROL SYMBOLS

- 1 CONTROL CIRCUIT ZONE NUMBER
- 2 LUTRON GRENK EYE OS MAIN UNIT PLACED IN EXISTING ELECTRICAL BOX
- 3 PHILIPS COLOR INMETICS CONTROL UNITS DATA ENABLE PRO / PLYER 3 PLACED IN EXISTING ELECTRICAL BOX - MUST BE WATERPROOF

NOTES

- 1 REFER TO LUMINE SCHEDULE FOR DETAILED LIGHTING FIXTURE SPECIFICATION - ISSUED SEPARATELY ON A 11 BOOKLET
- 2 REFER TO SHEET #1020 FOR DETAILED LUTRON GRENK EYE OS CONTROL SYSTEM ONE-LINE DIAGRAM
- 3 REFER TO SHEET #1021 FOR DETAILED PHILIPS COLOR INMETICS POWER UNITS ONE-LINE DIAGRAM
- 4 REFER TO SHEET #1021 FOR DETAILED LIGHTING FIXTURE INSTALLATION

LUTRON GRENK EYE OS CONTROL SYSTEM TO OPERATE ZONE NUMBER 1 (TYPE C LED SIGN LIGHTER) AND 2 (TYPE B LED BOLLARD), LOCATE LUTRON GRENK EYE OS MAIN UNIT PHILIPS COLOR INMETICS CONTROL UNITS DATA ENABLE PRO / PLYER 3 TO OPERATE ZONE NUMBER 1 (TYPE A LED BULLET FOR PALM TREE) NOTE: BOTH GRENK EYE OS AND PHILIPS DATA UNITS MUST BE COVERED WITH WATERPROOF ENCLOSURE

LOAD SCHEDULE

SYMBOLS	HANDWRITING ITEM	QTY	SYSTEM WATTS @20 VOLTS	TOTAL WATTS
A	TYPE A LED FLOOD	10	50	500
B	TYPE B LED BOLLARD	10	32	320
C	TYPE C LED LINEAR SIGN LIGHTER	1	20	20
[BE]	LUTRON GRENK EYE OS LIGHTING CONTROLLER	1	40	40
[CX]	PHILIPS COLOR INMETICS DATA ENABLE PRO POWER SUPPLY	1	20	20
[CX]	PHILIPS COLOR INMETICS PLYER 3 LIGHTING CONTROLLER	1	5	5
GRAND TOTAL			905 WATTS @20 VOLTS (7.54 AMPS)	



CITY PLAN REVIEW - NOT FOR CONSTRUCTION

JUNE 07, 2016

LIGHTING AND CONTROL PLAN (SHEET 1 OF 1)

<p>LTC 1.0</p>	<p>SCALE AS NOTED</p> <p>DATE MARCH 08, 2016 JUNE 7, 2016</p> <p>PRELIMINARY FOR REVIEW CITY PLAN REVIEW</p>	<p>SHEET TITLE LIGHTING AND CONTROL PLAN</p> <p>© 2016 John Brubaker, Inc. All Rights Reserved PROJECT: LANDSCAPE ARCHITECT</p> <p>TROLLER MAYER ASSOCIATES, LLP 1403 Kennelwood Road Suite B Glendale CA 91201</p>	<p>VENTURA BOULEVARD MEDIANS IMPROVEMENTS BETWEEN CEDROS AVE (NORTH) & CEDROS AVE SHERMAN OAKS CA</p>	<p>John Brubaker Architectural Lighting Consultants 70325 Macapa Drive Los Angeles CA 90068 tel 323 874 9849 fax 323 874 6951 jbrlg@pacbell.net www.john-brubaker-architectural-lighting-consultants.net/</p>
----------------------------------	---	--	---	--

John Brubaker
Architectural Lighting Consultants

7035 Macapa Drive
Los Angeles CA 90068
tel 323 874 9849
fax 323 874 6951
jbltg@pacbell.net

www.john-brubaker-architectural-lighting-consultants.net/

VENTURA BOULEVARD MEDIANS IMPROVEMENTS

SHERMAN OAKS, CALIFORNIA
BETWEEN CEDROS AVE (NORTH) & CEDROS AVE (SOUTH)

L U M I N A I R E S C H E D U L E

JUNE 07, 2016

CITY PLAN REVIEW
NOT FOR CONSTRUCTION

**NO FIXTURE / LAMP SUBSTITUTION IS ALLOWED WITHOUT APPROVAL BY LIGHTING
CONSULTANT. PROVIDE HARDWARE EXACTLY AS SPECIFIED**

© Copyright 2016. John Brubaker, Inc. All Rights Reserved

PHILIPS



ColorBlast IntelliHue
Powercore gen4

LED Luminaire



ColorBlast IntelliHue Powercore gen4

100 – 277 VAC, 20° Spread Lens, Gray Housing, UL/CE

Customizable exterior LED flood fixture with
intelligent color light

ColorBlast IntelliHue Powercore high-performance LED fixtures combine white and rich, saturated, color and color-changing effects with simplified installation. ColorBlast IntelliHue Powercore offers a range of accessories that allow for customizable beam angles for floodlighting, spotlighting, wall washing, and grazing, along with the efficiency and cost-effectiveness of Powercore technology in a rugged die-cast aluminium housing.

TYPE A

LED FLOOD FOR PALM TREE
-VARIABLE COLOR

John Brubaker
Architectural Lighting Consultants

www.john-brubaker-architectural-lighting-consultants.net/

LUMINAIRE SCHEDULE

7035 Macapa Drive Los Angeles CA 90068
tel 323 874 9849 fax 323 874 6951

JUNE 07, 2016:

CITY PLAN REVIEW - NOT FOR CONSTRUCTION

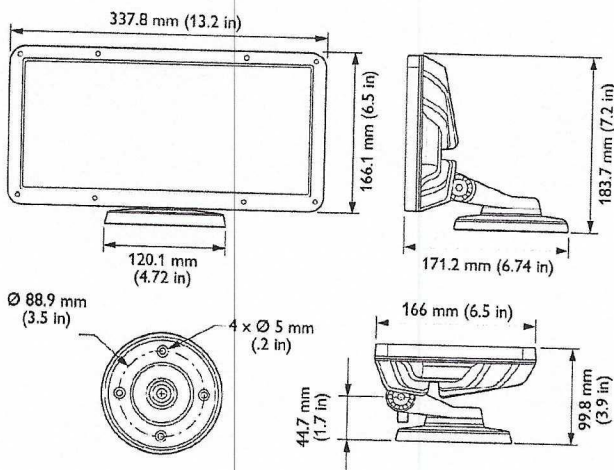
ColorBlast IntelliHue Powercore gen4

Customizable exterior LED flood fixture with intelligent color light

- Expands customization with a wide range of new Philips accessory options. In addition to the native 10° lens, five different diffuser lenses can customize the fixture to produce 20°, 40°, 60°, 80°, and 10° x 40° (asymmetric) beam angles. Three housing color choices (black, gray, and white) – plus the option to add or combine a louver, rock guard, full glare shield, and half glare shield – create new aesthetic possibilities for designers and architects.
- Improves color consistency between all LED fixtures in a family with Chromasync technology. During the manufacturing process a calibrated light measurement device creates an algorithm to define a common color gamut for an entire family of LED fixtures. When Chromasync is enabled, color consistency between fixtures is achieved without having to manually adjust color points on each fixture.
- Meets ASTM B117 standard for > 1,500 hours of corrosion resistance and ANSI C136.31-2010 standard with a 3G vibration rating.
- Delivers R9 values that can reach up to 81. Saturated red light gives objects and surfaces a vibrant and rich color that is ideal for spaces where ambience is important.
- Features an innovative, redesigned optical system that improves the quality of light from each LED, enhancing the color uniformity and color mixing capabilities of each ColorBlast IntelliHue Powercore gen4 luminaire.
- Improves durability with new flat lens that prevents water from pooling into the fixture, keeping the LEDs protected and secure over the course of a luminaire's lifetime.
- Integrates patented Powercore technology that controls power output to fixtures directly from line voltage – rapidly, efficiently, and accurately. The Philips Color Kinetics Data Enabler Pro merges line voltage with control data and delivers them to fixtures over a single standard cable, dramatically simplifying installation and lowering total system cost.
- Accepts power input of 100 – 277 VAC.
- Works seamlessly with the complete Philips Color Kinetics line of controllers, including ColorDial Pro, iPlayer 3, and Light System Manager – as well as third-party controllers.

For detailed product information, please refer to the ColorBlast IntelliHue Powercore gen4 Product Guide at <http://www.colorkinetics.com/ls/IntelliHue/ColorBlast-Powercore-gen4/>

Dimensions



2

ColorBlast IntelliHue Powercore gen4, 100 – 277 VAC, 20° Spread Lens, Gray Housing, UL/CE Specification Sheet

TYPE A

LED FLOOD FOR PALM TREE
-VARIABLE COLOR

John Brubaker
Architectural Lighting Consultants

www.john-brubaker-architectural-lighting-consultants.net/

LUMINAIRE SCHEDULE

7035 Macapa Drive Los Angeles CA 90068
tel 323 874 9849 fax 323 874 6951

JUNE 07, 2016:

CITY PLAN REVIEW - NOT FOR CONSTRUCTION

Specifications

Due to continuous improvements and innovations, specifications may change without notice.

ColorBlast IntelliHue Powercore gen4, 100 – 277 VAC, 20° Spread Lens, Gray Housing, UL/CE

Output

Beam Angle	20°
Lumens All Channels Full On†	2121
Efficacy (lm/W) All Channels Full On	40.2
LED Channels	Red/Green/Blue/Mint White

Electrical

Input Voltage	100–277 VAC, auto-switching, 50/60 Hz
Power Consumption <i>(Maximum at full output, steady state)</i>	50 W
Power Factor	0.99 @ 120 VAC, 0.88 @ 277 VAC

Control

Interface	Data Enabler Pro (DMX/Ethernet)
Control System	Philips full range of controllers, including Light System Manager, ColorDial Pro, and iPlayer 3, or third-party controllers

Lumen Maintenance

Threshold§	Ambient Temperature	Reported¶	Calculated¶
L ₉₀	25° C	20,100	20,100
	50° C	20,100	20,100
L ₈₀	25° C	44,600	44,600
	50° C	44,600	44,600
L ₇₀	25° C	>47,100	72,300
	50° C	>47,100	72,300
L ₅₀	25° C	>47,100	72,300
	50° C	>47,100	72,300

Physical

Dimensions <i>(Height x Width x Depth)</i>	185 x 338 x 171 mm (7.3 x 13.3 x 6.75 in)
Weight	3.9 kg (8.2 lb)
Effective Projected Area (EPA) <i>(Fixture plus Full Glare Shield)</i>	0.096 m ²
Housing Material	Die-cast aluminium, powder-coated finish
Lens	Clear tempered glass
Fixture Connections	1.8 m (6 ft) unified power/data cable
Temperature Ranges	-40° – 50° C (-40° – 122° F) Operating -20° – 50° C (-4° – 122° F) Startup -40° – 80° C (-40° – 176° F) Storage
Vibration Resistance	Complies with ANSI C136.31, 3G
Mechanical Impact	IK10
Corrosion Resistance	Complies with ASTM B117 standard for > 1,500 hours
Humidity	0 – 95%, non-condensing

Fixture Run Length
To calculate fixture run lengths and total power consumption for your specific installation, download the Configuration Calculator from www.philipscolorkinetics.com/support/install_tool/

Certification and Safety

Approbation	UL/cUL, CE, CQC, FCC Class A, PSE, RCM
Environment	Dry/Damp/Wet Location, IP66



* Color temperatures conform to nominal CCT's as defined in ANSI Chromaticity Standard C78.377A.

† Lumen measurement complies with IES LM-79-08 testing procedures.

§ Lxx = xx% lumen maintenance (when light output drops below xx% of initial output). All values are given at B10, or the median value where 90% of the LED population is better than the reported or calculated lumen maintenance measurement.

¶ Lumen maintenance figures are based on lifetime prediction graphs supplied by LED source manufacturers. Whenever possible, figures use measurements that comply with IES LM-80-08 testing procedures. In accordance with TM-21-11, Reported values represent the interpolated value based on six times the LM-80-08 total test duration (in hours). Calculated values represent time

¶¶ CRI refers to CRI Ra value, CRI R9 refers to R9 value in accordance with IESNA LM-79 standards.

TYPE A

LED FLOOD FOR PALM TREE
-VARIABLE COLOR

John Brubaker
Architectural Lighting Consultants

www.john-brubaker-architectural-lighting-consultants.net/

LUMINAIRE SCHEDULE

7035 Macapa Drive Los Angeles CA 90068
tel 323 874 9849 fax 323 874 6951

JUNE 07, 2016:

CITY PLAN REVIEW - NOT FOR CONSTRUCTION

